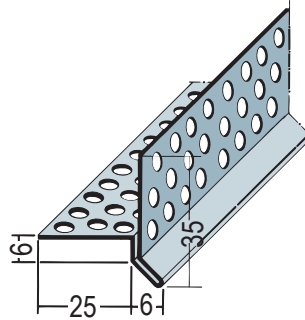


Product data sheet

Status: 09.06.2023 | 10:25

Item no. 9011



| | |
|-------------------------------|---|
| Designation | Water drip nose profile for thermal insulation 6 mm, Alu |
| Description | Water drip profiles for achieving a clean finish in insulated attic constructions or balcony sub-layers. |
| Product area | Thermal insulation |
| Product category | Connection and end profiles |
| | Reinforcing plaster ,Reinforcing plaster organ,Insulating plaster,Deposits cleaning , Gypsum mortars and mortars containing gypsum ,Gypsum plaster,Lime plaster,Lime cement plaster,Clay plaster,Cement plaster |
| Plaster thickness | 6,0 mm |
| Material | Aluminum natural |
| Product length | 250,0 cm |
| Reaction to fire (R2F) | A1 |
| Packaging Unit | 20 STB / 47 BUN |

This product data sheet corresponds to the current state of development of our products and loses its validity upon publication of a new edition. Make sure you are using the latest edition of this information. Warranty and liability are based on delivery according to our general. Terms and conditions. Please observe the application assembly and storage guidelines.

All statements without guarantee. Reserve technical changes. Product illustrations may differ from the delivery product. Tender specifications, installation instructions and performance declarations (if required by law) can be found on our homepage. Please respect the environment for a proper disposal!

PROTEKTORWERK
Florenz Maisch GmbH & Co. KG
Postfach 1420, D-76554 Gaggenau
Viktoriastr. 58, D-76571 Gaggenau

Tel. +49 7225 977 - 0
Fax +49 7225 9 77 - 111
info@protektor.com
www.protektor.com

